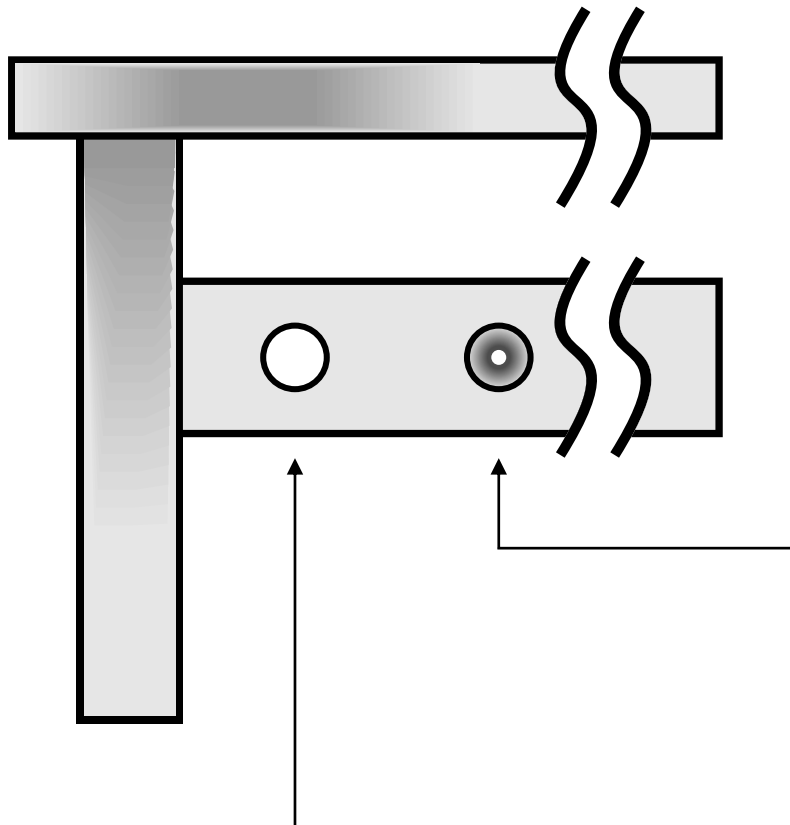


Congratulations on your new Chorpender® by C.Wood&Co.!



Mounting holes on the Chorpender® mounting bar have a small pilot hole located inside the recessed area. The provided screws should be used with these holes and anchored securely to a wall stud. All mounting holes are spaced 16" on center unless otherwise specified by the customer at time of purchase. 'Molly bolts' or drywall anchors may be used for additional mounting points, however, at least one mounting screw **MUST** be anchored to a wall stud

Holes that are completely through the Chorpender® mounting bar are for the included padded guitar hanging hooks and will be pre-threaded for ease of installation.



Mounting hole caps are also provided

DISCLAIMER: C.Wood&Co. is not responsible for guitars that may be knocked off of the hangers, or hangers that fall from the wall because we are not involved in placement of such hangers. Our instruction do specify the need for proper installation of our products and recommended fashion of hanging the guitar hanger on studs or toggle bolts for maximum support. We are not responsible if in the installation process the screws are stripped, all hardware will be quality tested by C.Wood&Co. before shipping.



www.cwoodandco.com

come hang with us!™

